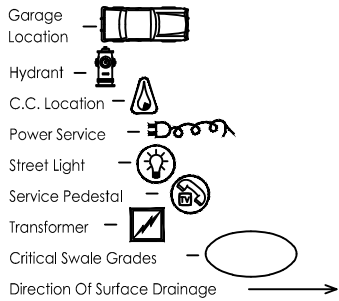


STORM SERVICE CONNECTION
REQUIREMENTS SHOULD BE CONFIRMED
PRIOR TO INSTALLATION

LOWEST OPENING
ELEVATION AT THE
BUILDING 651.00

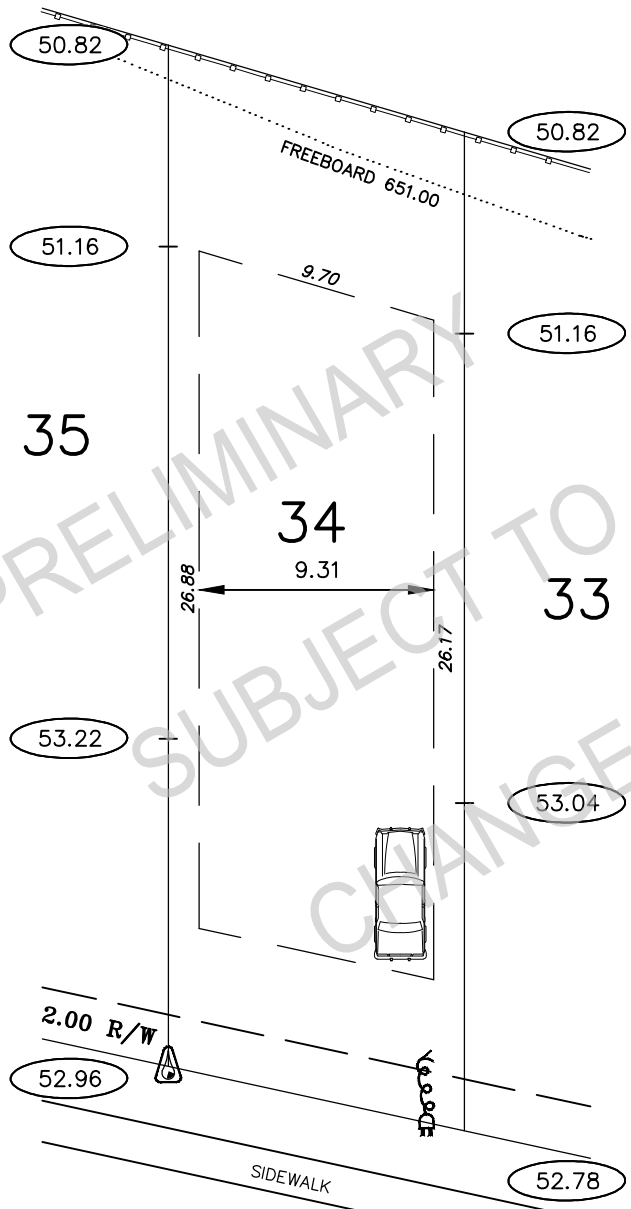
THIS PLAN IS TO BE USED AS A
GUIDE ONLY. ALL MINIMUM SIDEYARD
DISTANCES MUST BE VERIFIED BY
STANTEC GEOMATICS.

DRAINAGE TYPE – STANDARD SPLIT



House Type _____
 Finished Floor _____
 Bottom Footing _____
 Finished Grade Front _____
 Finished Grade Back _____
 Bottom Back Door Sill _____
 Bottom Bsm't Window _____
 Top Conc. Bsm't Wall _____
 Finished Garage Floor _____
 Sanitary Sewer Invert 50.20

JOIST _____ CONC.WALL _____ FOOTING _____



FRONT
LOT AREA = 470.90m²

*It is the responsibility of the builder to contact the soils consultant to determine if there are any special considerations pertaining to house foundation construction.
 *The elevation of this house has been designed so that it will be in conformance with the lot grading plan.
 *This plan is subject to the approval of the local approving authority and the agent responsible for the architectural control guidelines.
 *Stantec Geomatics will accept no responsibility for any costs incurred due to an error or omission on this plan if construction starts prior to the subject approvals.
 *All dimensions and services shown must be confirmed by contractor prior to excavation.
 *All distances shown are in metres and decimals thereof.



Stantec Geomatics Ltd.
 10160-112th Street NW
 Edmonton, Alberta, Canada
 T5K 2L6
 Tel. 780-917-7000
 Fax. 780-917-7289
 www.stantec.com

Legal Description
LOT 34 BLOCK 7 PLAN UN-REG.
EBBERS
 Municipal Address
EDMONTON
 Builder
 Title
Plot Plan
 Your File:
 VES-10/30/2013